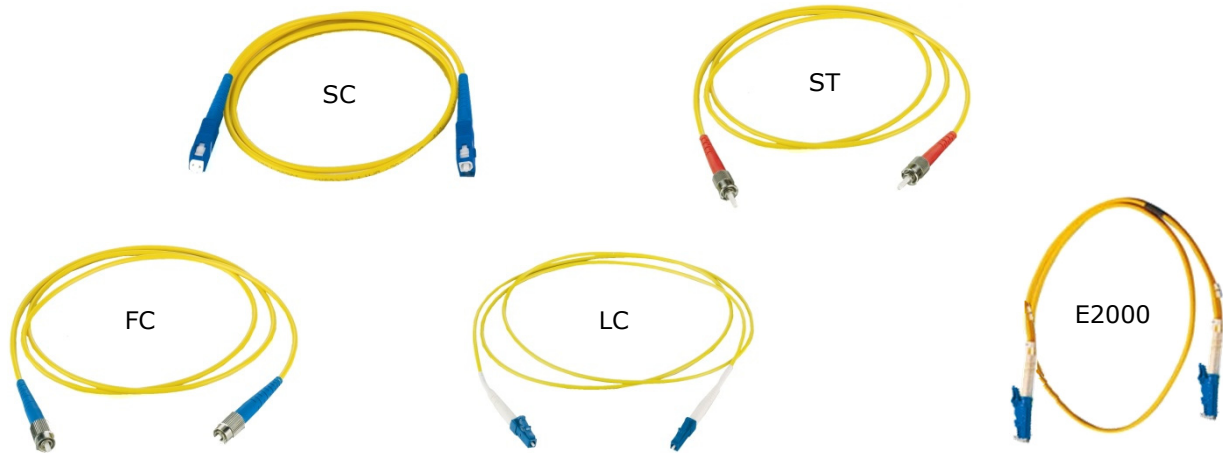


## Patchcords

**Prysmian Part Numbers: See Tables on the following page**



High performance optical patchcords are a defining factor in ensuring any network performs to the highest level. Prysmian offers an extensive range of optical patchcords for use in FTTx, telecommunications, data communications and CATV applications. All patchcords are fully qualified to Telcordia GR326 and IEC 61300 and all materials used are RoHS compliant.

Patchcords can be supplied in a variety of lengths and with a variety of different connector types. Different fibre types and cable diameters are also available on request. Hybrid patchcords with different connector types on each end are also available. Please contact Prysmian for further information.

## Features and Benefits

- Full traceability and test certification supplied with each assembly.
- Ultra polish (UPC) supplied as standard and Angle polish (APC) also available. Patchcords are un-tuned. Tuned patchcords are available on request.
- Qualified to Telcordia GR326 and IEC 61300 standards and RoHS compliant materials.
- Can be supplied with many different connector types such as FC, SC, ST, E2000, LC, DIN and others on request.
- Available in singlemode and multimode (50/125 and 62.5/125).
- Many fibre types available including singlemode G657A1 or multimode OM1/OM2/OM3,OM4 and OM4 plus.
- Lengths available from 1 metre to 99 metres.
- Cable diameters available in 1.6mm, 2mm and 3mm.
- Various sheath colours available.
- All connectors are supplied with ceramic ferrules.
- Please contact Prysmian to discuss any special patchcord requirements.

## Applications

- FTTx
- Telecommunications
- Data communication
- CATV
- Test and measurement

## Additional Items

- None

## Technical Data

### Singlemode (1310/1550nm)

- Maximum Insertion Loss (dB): ≤ 0.3 Typical 0.2 (UPC and APC)
- Return Loss (dB): ≥ 55 (UPC), ≥ 65 (APC)
- Intermateability: IEC 874-14
- Operating temperature: -40°C to + 85°C

### Multimode (850nm)

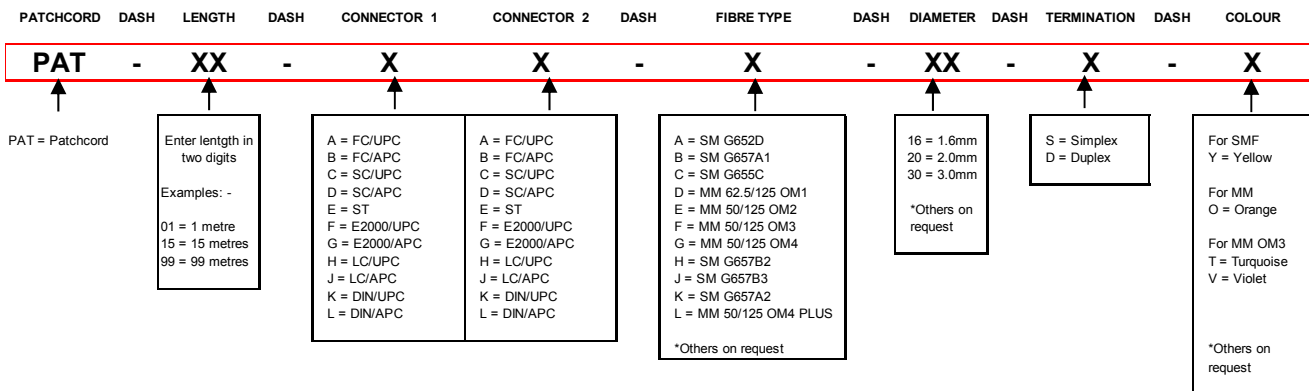
- Maximum Insertion Loss (dB): ≤ 0.4 (UPC)
- Return Loss (dB): Not measured
- Intermateability: IEC 874-14
- Operating temperature: -40°C to + 85°C

## Part Numbers

Patchcord part numbers are made up using the table below. The part number is 18 digits in length.

The part number always starts with the letters PAT to denote that it is a patchcord. This is followed by a dash and then a two digit code for the length of the patchcord. Another dash is followed by a two letter code. The first letter represents the connector on one end, and the second letter represents the connector on the other end of the patchcord. Another dash is next, followed by a single letter code to denote the fibre type of the patchcord. After another dash a two digit code denotes the fibre diameter. Another dash is then followed by the termination type and a final dash is followed by a single letter code for the sheath colour of the patchcord.

Note: Patchcords must be ordered in 1 metre increments.



Example of a patchcord part number: -

### **PAT-05-DD-B-20-S-Y**

The above example describes a patchcord 5 metres in length, with SC/APC connectors on both ends. The fibre type is G657A1 and the diameter of the patchcord is 2mm. It is a simplex patchcord with a yellow sheath.

Please contact your local sales office listed on [www.prysmiangroup.com](http://www.prysmiangroup.com)

© Prysmian Group 2012, All Rights Reserved.

The information contained within this document must not be copied, reprinted or reproduced in any form, either wholly or in part, without the written consent of Prysmian Group. The information is believed correct at the time of issue. Prysmian Group reserves the right to amend this specification without notice. This specification is not contractually valid unless specifically authorised by Prysmian Group.