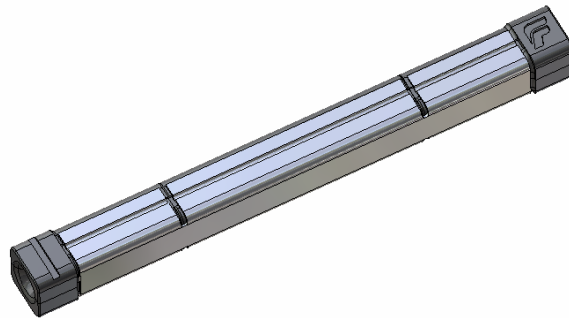


Universal Mechanical Splice

Prysmian Part Number: *XKTSC00121*



The Universal Mechanical Splice is designed for fast splicing of optical fibres in a variety of positions within telecom and private optical fibre networks, and is used as an alternative method of splicing to traditional fusion splicing with heat shrink or crimp splice protectors. Splicing of the fibres is achieved through 'cladding to cladding' alignment and clamping of the optical fibres using a mechanical push-pull wedge process. The process achieves excellent optical and mechanical performance along with cost benefits to the users of the technology.

Features and Benefits

- Universal mechanical splice can be used with both single-mode and multimode optical fibres.
- Splicing process is simple and requires minimal training.
- No electrical equipment is required for splicing operation.
- Low cost mechanical splicing kits are available with or without high precision cleave tools.
- Typical mechanical splicing operation time is 1 ~ 2 minutes.
- Typical insertion loss values are less than 0.1dB.
- The Universal mechanical splice is proven worldwide with total FTTH installations exceeding 3 million.
- The Universal Mechanical Splice is tested to conditions and criteria determined with reference to Telcordia GR-765-CORE Generic Requirements for Single Fiber Single-Mode Optical Splices and Splicing Systems.
- Can be used to splice 250µm to 250µm, 900µm to 900µm, or 250µm to 900µm fibre.

Kit Contents

Product is supplied in box of 50 individually wrapped mechanical splices

Required Items

- Mechanical splice tool kit
- Mechanical splice tool kit with high precision cleave tool

Applications

- Either single or multimode fibre
- Combinations of splices possible:-
 - 900µm to 900µm
 - 900µm to 250µm
 - 250µm to 250µm

Technical Data

- Mechanical splice dimensions (mm): (l) 40 x (w) 4 x (d) 4
- Colour: Black / Silver
- Operating temperatures:-
 - For 250µm coated fibre: -40°C to + 70°C
 - For 900µm coated fibre:-
 - PVC coating -40°C to + 75°C
 - Nylon coating 0°C to + 75°C
 - TPEE coating -25°C to + 75°C
- Material:-
 - Main body PPS
 - Index Matching Gel Silicon Gel
 - Spring Clamp Beryllium
- Testing:-
 - Reliability Compliant to Telcordia GR-765 CORE generic requirements for Single Fiber Single Mode Optical Splices and Splicing System
- Insertion Loss at 1310 & 1550nm: < 0.15dB (typically < 0.1dB)
- Reflectance at 1310 & 1550nm: > 40dB (typically > 55dB)

Logistics

Universal Mechanical Splices (box of 50)

- Packing Dimensions (mm): (l) 100 x (w) 60 x (d) 60
- Packed Weight (kg): 0.2

Mechanical Splice Tool Kit

- Packing Dimensions (mm): (l) 420 x (w) 210 x (d) 150
- Packed Weight (kg): 1.5

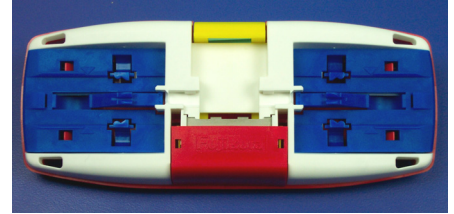
Required Items

Mechanical Splice Tool Kit - Standard

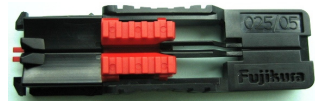
The mechanical splice tool kit contains the following items which are essential for the mechanical splice operation:-

- Mechanical Splicing tool (1 piece)
- Optical fibre holder 250µm (4 pieces)
- Optical fibre holder 900µm (4 pieces)
- Spacer (2 pieces)
- Mechanical Stripper 250µm (1 piece)
- Micro Stripper 900µm (1 piece)
- Brush (1 piece)
- Alcohol Container (1 piece)
- Cotton pad (1 piece)
- Instruction (1 piece)
- Carrying Case (1 piece)

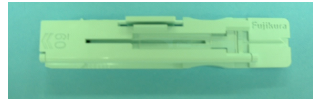
Prysmian Part No. – XKTSC00122



Mechanical Splicing Tool



Optical fibre holder 250µm



Optical fibre holder 900µm



Spacer

Mechanical Splice Tool Kit with High Precision Cleave Tool

The mechanical splice tool kit contains the following items which are essential for the mechanical splice operation:-

- Mechanical Splicing tool (1 piece)
- Optical fibre holder 250µm (4 pieces)
- Optical fibre holder 900µm (4 pieces)
- Spacer (2 pieces)
- Mechanical Stripper 250µm (1 piece)
- Micro Stripper 900µm (1 piece)
- Brush (1 piece)
- Alcohol Container (1 piece)
- Cotton pad (1 piece)
- Instruction (1 piece)
- Carrying Case (1 piece)
- High Precision Cleave Tool (1 piece)

Prysmian Part No. – XKTSC00123



High Precision Cleave Tool

Please contact your local sales office listed on www.prysmiangroup.com

© Prysmian Group 2012, All Rights Reserved.
The information contained within this document must not be copied, reprinted or reproduced in any form, either wholly or in part, without the written consent of Prysmian Group. The information is believed correct at the time of issue. Prysmian Group reserves the right to amend this specification without notice. This specification is not contractually valid unless specifically authorised by Prysmian Group.