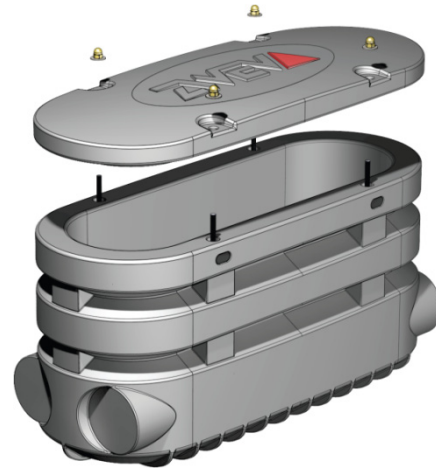
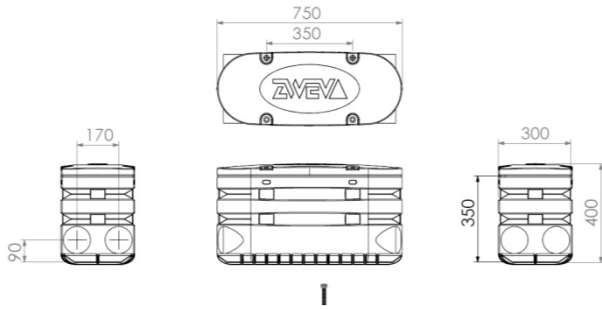


Handhole ZTTH3-P001

Prysmian Part Number: XJTSC01413



The hand hole type ZTTH3-P001 is designed as a direct buried underground housing. The hand hole can be connected to a duct or cable system and supports the installation of most types of splice closures. The hand hole can be used as an underground manipulation point for micro ducts and / or fibres on all network locations. is designed as a direct buried underground housing.

Features and Benefits

- Lightweight, cost-effective transport and installation.
- Robust twin wall construction:
 - high strength.
 - high impact resistance.
 - high side-load stability.
- Exceptional resistance to weathering, freeze / thaw cycles and chemicals.
- Max. port size user defined, max 90 mm (2 on each side)
- Hand hole fits in standard trench width 30cm, saving digging cost

Kit Contents

- Handhole
- 4 Bolts

Technical Data

<ul style="list-style-type: none"> • Dimensions: 400 (h) x 750 9w) x 300 (d) mm • Colour: Black • Material: Twin wall housing: Polyethylene Twin wall cover: Polypropylene Cover Sealing: Rubber Fixation set: Stainless steel A2 	<ul style="list-style-type: none"> • Weight: Housing: 11 kg Cover: 3.5 kg • Temperature range: Transport and storage: -10°C to 50°C Installation: -10°C to 50°C Operation: -20°C to 60°C • Place of installation: Group 1 & 2 European Standard EN124 Cover minimum 300 mm below surface level • Logistics: 12 pieces per pallet, 174 kg
--	--

Please contact your local sales office listed on www.prysmiangroup.com

© Prysmian Group 2012, All Rights Reserved.
The information contained within this document must not be copied, reprinted or reproduced in any form, either wholly or in part, without the written consent of Prysmian Group. The information is believed correct at the time of issue. Prysmian Group reserves the right to amend this specification without notice. This specification is not contractually valid unless specifically authorised by Prysmian Group.